

SCREEN UNIT FOR MERI CRUSHERS MJH-MODELS

Top innovation from the field !!



One MeriCrusher many jobs, no need for separate surface crushers any more.

The best possible crushing result even in the most difficult conditions can be achieved with a help of hydraulically operated screen unit.

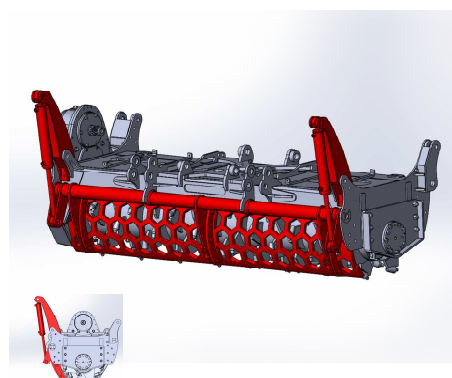
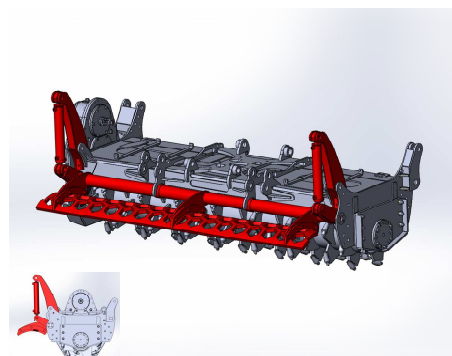
In the active position of the screen unit all the material is forced through the hexagonal holes, making the crushing result best possible.

While using the screen unit the working direction is backwards, The rotor lifts up the material and pre-crushes it against the counter blade, after that the material flows to the screen unit and gets through the screen holes.

When the screen unit is up MeriCrusher works normally as without the unit at all.

The screen unit is manufactured of a top quality wear resistance HARDOX steel which stands well high stress and wear conditions.

The screen unit is available to all MJH-models and the assembling kit includes the hydraulic cylinders.



Best results with MeriCrushers

